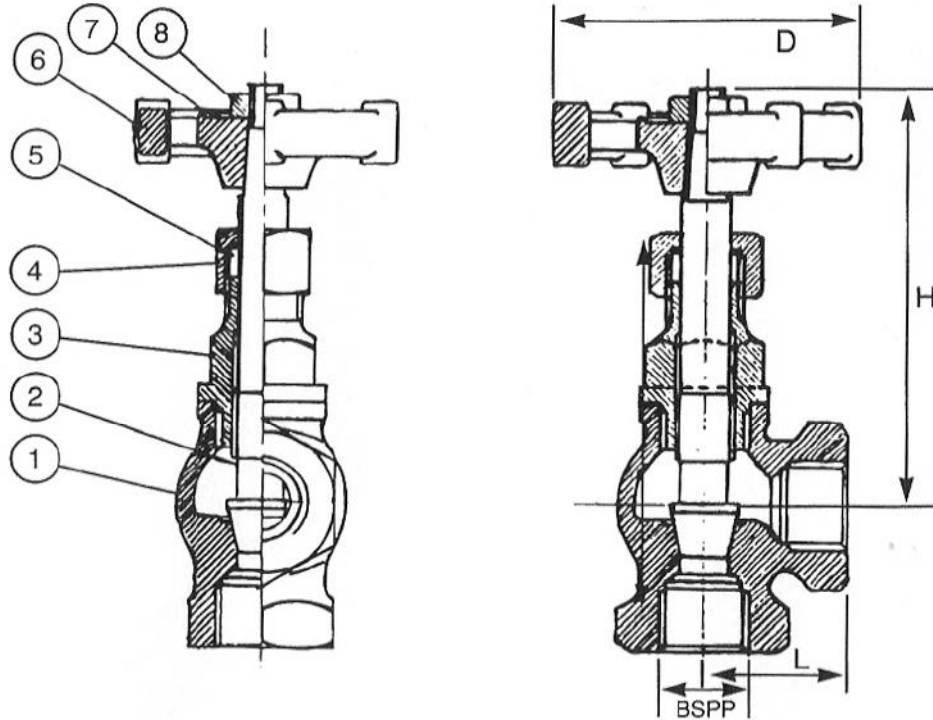


**Options:** Bronze Handwheels & 'T' Bars ①

**Pressures:** 2100 kPa CWP  
Steam: 1400 kPa @ 200°C

**Standards:** Dezincification Resistant  
BS 5154-1991: Globe Stop & Check Valves  
AS 3855: Materials suitable for Potable Water Service



**Dimensions**

Size mm	6 & 8	10	15	20	25	32	40	50	65	80	100
L	25	27	33	35	•	•	•	•	•	•	•
H	76	87	87	98	•	•	•	•	•	•	•
D	55	55	55	65	•	•	•	•	•	•	•
Wt/kgs	0.3	0.4	0.5	0.7	•	•	•	•	•	•	•

ITEM	DESCRIPTION	MAT'L	STANDARD
8	HANDWHEEL NUT	BRASS	
7	NAMEPLATE		
6	HANDWHEEL	ZINC ALUM BRONZE	AS1874 AS1565
5	GLAND PACKING	PTFE	AS1198
4	GLAND NUT	DR BRASS	AS1567 -352
3	COVER – BONNET	DR BRASS	AS1567 -352
2	SPINDLE NEEDLE DISC	DR BRASS	AS1567 -352
1	BODY	GUNMETAL BRONZE	AS1565 C83600M



**PROMET VALVES AUSTRALIA**  
1A Green Road Woodville West SA 5011  
www.prometvalves.com promet@prometvalves.com  
T: 08 8268 1777 ABN 47096 425 697 F: 08 8268 1711

FIG No **T1AN** BRONZE NEEDLE VALVE  
ANGLE SCREWED CLASS 21  
PN 20